

**EverExceed**<sup>®</sup>  
*power your applications*

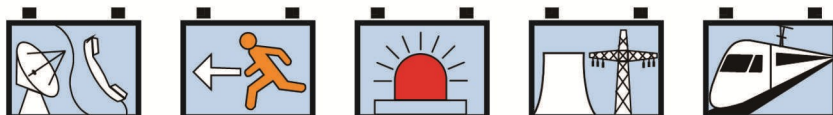


# FT MAX RANGE VRLA

**UNIQUE PERFORMANCE AGAINST HIGH TEMPERATURE**  
**15 YEARS DESIGN LIFE**



**Premium quality for  
uninterruptible application**



[www.everexceed.com](http://www.everexceed.com)



**FRONT ACCESS SEALED  
VRLA MONOBLOC AGM BATTERIES  
Capacities: 40AH to 250AH at C10**

The extremely powerful, compact AGM batteries of EverExceed front access FT MAX Range are an ideal energy source for durability in Telecommunications and Electric Utility applications. The EverExceed front access FT MAX Range VRLA provides high performance and reliability in long duration discharge applications. Our development team combines the market's demand with design optimization, precision component selection and state-of-the-art manufacturing process to produce the most cost effective battery solution for today's applications.

**Applicable Operating temperature range:**

-40°C (-40°F) to +60°C (+140°F)

**Ideal Operating temperature range:**

+15°C (+68°F) to +60°C (+77°F)

**Storage time from a fully charged condition:**

12 months at 20°C / 68°F. For each 9°C / 15°F rise, reduce the storage time by half.

**Applications**

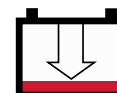
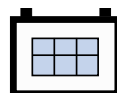
EverExceed FT Max range VRLA batteries Incorporate EverExceed's advanced VRLA technology designed for long life and high performance in:

**Telecommunications      UPS**

- ☑ Distributed Power
- ☑ Wireless \ PCS
- ☑ Cellular Radio
- ☑ Microwave
- ☑ Broadband

**Electric Utility**

- ☑ Switchgear Control Power
- ☑ Communications



**Innovative Features**

- ☑ Thick optimized positive plate design for maximum service float life - 15 year design life @ 20°C(68°F).
- ☑ Nano-Carbon enhanced for improved durability.
  - UL Recognized component.
- ☑ Valve regulated lead acid battery (VRLA).
- ☑ Extreme temperature High-Compression Absorbed Glass Mat technology (AGM) for greater than 99% recombination efficiency.
- ☑ Proprietary Fixed Orifice Plate Pasting technology applying active materials on both sides of the grid for consistent cell-to-cell performance, higher density & capacity and uniform grid protection.
- ☑ Advanced deep cycle high tin lead alloy, reduces grid corrosion and promotes long battery life.
- ☑ Over-sized, through the partition inter-cell welds provide low resistance connections, with minimal power loss.
- ☑ Flame arresting, low pressure safety release venting system for individual cells, recognized per U.L. 924.
- ☑ Reinforced special high temperature resistant ABS container and cover adopted.
- ☑ One-way relief valve, Explosion Resistant.
- ☑ Full 3-year free replacement warranty even temperature up to +60°C, 5+ years warranty optional.
- ☑ Better performance for high / low outdoor applications, extended service life for non-temperature controlled outdoor enclosures.

**Designed in Quality Manufacturing:**

Quality manufacturing processes for the front access FT MAX Range VRLA batteries incorporate the industry's most advanced technologies including: an automated sealing detection system, a computer controlled "fill by weight" acid filler, and a temperature controlled water bath formation process. Each and every unit is capacity tested.

**Standards and Compliances**

- |                              |                                  |
|------------------------------|----------------------------------|
| ☑ UL Compliant               | <b>Tested in accordance with</b> |
| ☑ NEBS Compliant             | ☑ BS 6290 PART 4                 |
| ☑ EUROBAT,                   | ☑ Bellcore, TR-NWT-000766        |
| 10+ year plus classification | ☑ ANSI, TI: 330                  |

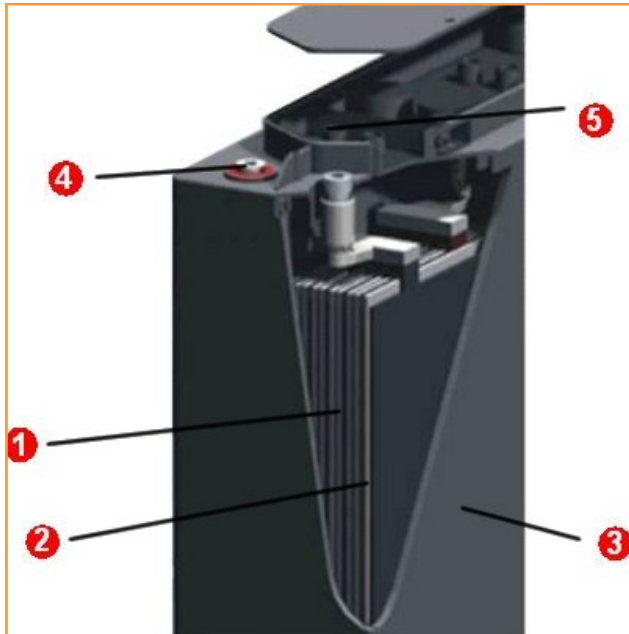
**No transport restrictions**

- ☑ Surface transport. Classified as non-hazardous material as related to DOT-CFR Title 49 parts 171-189.
- ☑ Marine transport. Classified as non-hazardous material as per IMDG amendment 27.
- ☑ Air transport. Complies with IATA/ICAO, Special provision A67.

**CONSTRUCTION** - The EverExceed's front access FT MAX Range VRLA battery construction is as shown in the diagram below. The positive and negative plates are cast from a Lead-Calcium-Tin alloy to reduce grid growth and corrosion. The active material is manufactured from high purity lead (99.9999%) to minimize the negative effects of impurities.

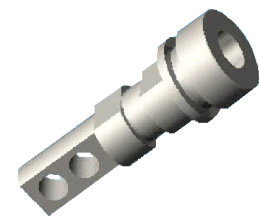
The EverExceed's front access FT MAX Range VRLA battery Separator is superior quality microporous mat of random woven acid resistant glass fibres, with high absorption and stability, which acts as sponge - soaking up and immobilizing the electrolyte whilst maintaining good acid to plate contact and availability during discharge. "U wrapping" is employed to eliminate the risk of short circuits due to mossing and debris at the bottom of the cell.

The purpose of the separator is to maintain a constant distance between the positive and negative plates, thus removing the possibility of short circuits whilst allowing the active material to fully react with the electrolyte. The random weaving also results in an open structure, which offers minimal resistance to the flow of electrolyte during filling.



- 1 Plates:** High Tin Pb alloy, optimized for high corrosion resistance.
- 2 Separator:** Highly porous glass micro-fibre separator, optimized for low internal resistance, for maximum Absorption of the electrolyte and for electrical separation of the positive and negative plates.
- 3 Standard Housing:** Reinforced special high temperature resistant ABS container and cover adopted.
- 4 Terminals:** Silver plated Copper female insert for easy and safe assembly and maintenance free connection with excellent conductivity
- 5 Valves:** Release gas in case of excess pressure and protects the cell against atmosphere

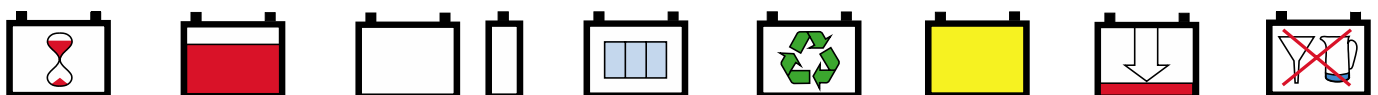
**ELECTROLYTE FILLING** - Special production and stringent QC systems are utilized to ensure the electrolyte saturation is optimized for each cell. Measured high vacuum acid fill, reduces electrical variability between cells. The battery design and construction negates the need for electrolyte addition and the battery remains maintenance free throughout its design life.



**SAFETY RELEAST VALVE** - The battery will operate above atmospheric pressure under normal operating conditions, however the maximum pressure is governed by the safety one-way release valve. Open is activated by pressures in excess of approx. 2 PSI (14 Kpa), resealing at approx 1.2 PSI (8.4Kpa).

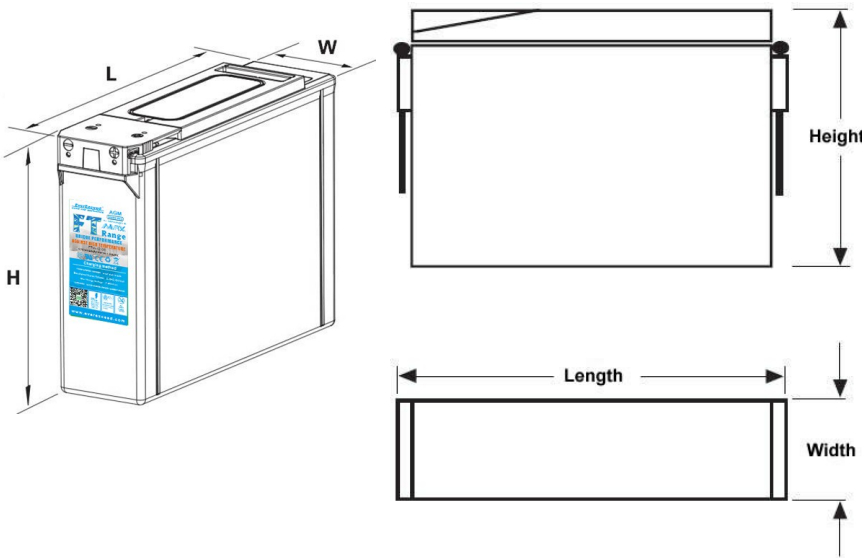
**GAS RECOMBINATION** - The gasses generated during normal operation of the battery are internally recombined. In fact more than 99% of the gas achieves recombination.

**TERMINAL CONSTRUCTION** - The contact quality between the insert terminal and the lead post is of vital importance during short duration / high Amp discharges. Elevated terminal temperatures are the result of poor contact, eventually causing seal degradation and electrolyte leaks. EverExceed's design and assembly technique for terminal casting ensures trouble free operation for the design life of the battery.

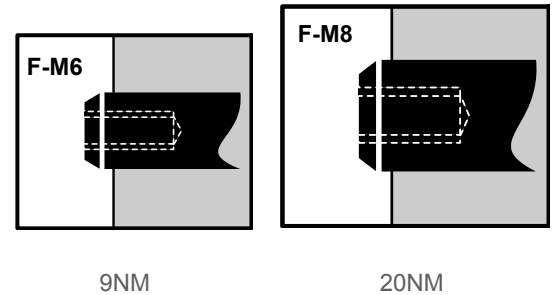


## EverExceed FT MAX Range Electrical Specifications & Dimensions

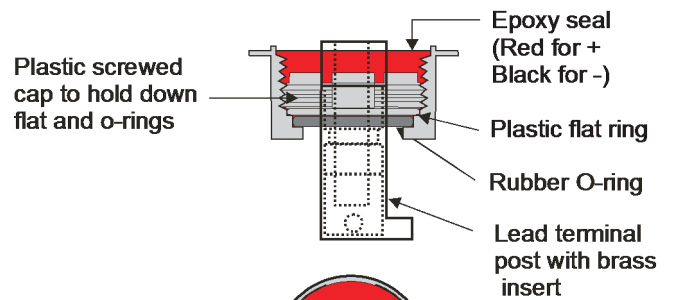
Battery Model	Capacity C10/ 1.80 VPC	Capacity C8/ 1.75 VPC	15 min. WPC / 1.67V PC	Short Circuit current Amps	Internal Resistance Milli-ohms	Female Terminal Type	Battery Weight		Outline Dimensions					
									Length		Width		Height	
							Kg	Lbs	mm	inch	mm	inch	mm	inch
FT12V40	40.8	40.2	122	1382	5.2	F-M6	15.0	33.1	280	11.0	105	4.13	225	8.86
FT12V55	56.1	55.3	168	1900	4.5	F-M6	18.0	39.6	280	11.0	105	4.13	225	8.86
FT12V65	66.2	65.3	198	1991	3.9	F-M6	21.0	46.3	395	15.6	105	4.13	225	8.86
FT12V80	81.5	80.4	244	2450	3.7	F-M6	34.0	74.8	395	15.6	110	4.33	285	11.2
FT12V100	102	100	305	3100	3.2	F-M6	34.0	74.8	395	15.6	110	4.33	285	11.2
FT12V110	111	110	333	3200	3.2	F-M6	36.0	74.8	510	20.1	110	4.33	225	8.86
FT12V120	120	119	363	3600	3.1	F-M6	39.0	86.0	550	21.7	110	4.33	240	9.45
FT12V130	130	129	391	4368	2.8	F-M8	41.5	91.5	550	21.7	110	4.33	240	9.45
FT12V155	157	155	470	4800	2.6	F-M8	55.0	106	550	21.7	110	4.33	285	11.2
FT12V180	180	178	601	5300	1.8	F-M8	60.5	133	560	22.0	125	4.92	316	12.4
FT12V200	200	198	670	5400	1.8	F-M8	65.0	143	520	20.5	238	9.37	220	8.67
FT12V230	230	228	773	5900	1.5	F-M8	70.0	155	520	20.5	269	10.6	210	8.27
FT12V240	240	238	807	6000	1.3	F-M8	73.0	161	520	20.5	269	10.6	225	8.86
FT12V250	250	248	840	6200	1.2	F-M8	74.0	163	520	20.5	269	10.6	225	8.86



### Terminal and torque



- 15 year design life
- Grid plate
- Monobloc battery
- Nominal capacity 40 - 250Ah
- Deep discharge recovery
- Maintenance free
- Recyclable
- Valve regulated lead - acid



TYPICAL TRIPLE SEAL DETAIL

**EverExceed FT MAX Range VRLA Discharge Ampere Hour Data @ 20°C (68°F)**

Battery Model	End VPC	Discharge Data Amps @ 20° C						End VPC	Discharge Data Ampere Hours @ 20° C										
		Discharge Time In Minutes							Discharge Time In Hours										
		5	10	15	30	45	60		1.5	2	3	4	5	6	8	10	12	20	24
FT12V40	1.80	98.9	73.5	58.5	37.3	27.9	23.1	1.85	27.3	29.3	31.3	32.7	33.9	35.9	37.0	38.5	39.3	42.8	43.5
	1.75	114	82.9	63.3	38.6	28.7	23.6	1.80	29.0	31.1	33.2	34.8	36.0	38.2	39.2	40.8	41.6	45.2	45.9
	1.67	123	90.2	66.5	39.5	28.9	23.8	1.75	29.7	31.9	34.0	35.6	36.9	39.1	40.2	41.9	42.8	46.5	47.3
FT12V55	1.80	136	101	80.5	51.3	38.3	31.7	1.85	37.6	40.3	43.0	45.0	46.6	49.4	50.9	53.0	54.1	58.9	59.8
	1.75	157	114	87.0	53.1	39.5	32.5	1.80	39.9	42.7	45.6	47.8	49.5	52.5	53.9	56.1	57.2	62.2	63.1
	1.67	169	124	91.4	54.3	39.7	32.7	1.75	40.9	43.8	46.8	49.0	50.7	53.7	55.3	57.6	58.8	64.0	65.0
FT12V65	1.80	161	119	94.3	60.6	45.3	37.4	1.85	44.4	47.5	50.8	53.2	55.1	58.4	60.0	62.6	63.8	69.6	70.5
	1.75	185	134	102	62.7	46.6	38.4	1.80	47.1	50.5	53.9	56.4	58.4	61.9	63.6	66.2	67.5	73.5	74.5
	1.67	199	146	108	64.1	46.9	38.6	1.75	48.3	51.7	55.3	57.8	59.9	63.5	65.3	68.0	69.4	75.6	76.7
FT12V80	1.80	198	147	116	74.6	55.7	46.0	1.85	54.7	58.5	62.5	65.5	67.8	71.9	73.9	77.0	78.5	85.6	86.8
	1.75	228	165	126	77.2	57.4	47.2	1.80	58.0	62.1	66.3	69.4	71.9	76.2	78.3	81.5	83.1	90.4	91.7
	1.67	245	180	133	78.9	57.7	47.5	1.75	59.4	63.6	68.0	71.1	73.7	78.1	80.4	83.7	85.4	93.0	94.4
FT12V100	1.80	247	184	145	93.0	69.5	57.4	1.85	68.2	73.0	78.0	81.6	84.5	89.6	92.2	96.0	98.0	107	108
	1.75	284	206	158	96.3	71.6	58.9	1.80	72.3	77.4	82.7	86.6	89.7	95.1	97.7	102	104	113	114
	1.67	306	224	166	98.4	71.9	59.3	1.75	74.1	79.3	84.8	88.7	91.9	97.4	100	104	106	116	118
FT12V110	1.80	270	201	159	102	76.0	62.8	1.85	74.5	79.7	85.3	89.3	92.4	97.9	101	105	107	116	118
	1.75	310	225	172	105	78.3	64.3	1.80	79.1	84.6	90.4	94.6	98.0	104	107	111	113	124	125
	1.67	334	245	181	108	78.6	64.7	1.75	81.0	86.7	92.6	97.0	100	106	110	114	116	127	129
FT12V120	1.80	295	219	173	111	82.9	68.5	1.85	80.7	86.6	92.4	97.6	102	107	111	116	124	130	131
	1.75	338	245	188	115	85.4	70.1	1.80	86.8	91.9	98.0	103	107	113	116	120	134	135	136
	1.67	364	267	197	118	85.7	70.6	1.75	89.6	94.1	100	105	110	116	119	123	136	137	140
FT12V130	1.80	316	236	186	120	89.1	73.7	1.85	87.6	93.7	100	105	108	115	119	123	126	137	139
	1.75	364	264	203	123	91.9	75.5	1.80	92.8	99.2	106	111	115	122	125	130	133	145	147
	1.67	393	288	212	126	92.2	76.0	1.75	95.2	102.	109	114	119	125	129	134	137	149	151
FT12V155	1.80	381	284	224	144	107	88.6	1.85	105	113	120	126	130	138	142	148	151	165	167
	1.75	438	318	243	149	111	90.8	1.80	112	119	128	134	138	146	151	157	160	174	176
	1.67	472	346	256	152	111	91.4	1.75	114	122	131	137	142	151	155	161	164	179	182
FT12V180	1.80	492	369	293	187	140	118	1.85	120	129	138	144	150	160	166	171	175	191	189
	1.75	570	415	317	195	150	119	1.80	129	138	146	153	159	170	172	180	183	200	202
	1.67	614	449	332	201	152	123	1.75	132	140	150	157	162	175	178	184	189	205	208
FT12V200	1.80	548	411	325	208	157	132	1.85	135	143	153	161	166	178	185	190	195	213	210
	1.75	636	463	352	217	165	134	1.80	143	153	163	170	177	188	191	200	204	222	225
	1.67	684	500	368	224	168	137	1.75	147	157	166	175	180	195	198	205	210	228	232
FT12V230	1.80	632	474	375	239	181	152	1.85	156	166	177	185	192	205	213	220	225	246	243
	1.75	734	534	407	251	191	155	1.80	166	177	187	196	204	217	221	230	235	255	259
	1.67	788	577	425	257	195	158	1.75	169	181	192	202	208	224	228	237	243	264	267
FT12V240	1.80	659	495	391	249	189	159	1.85	163	173	185	193	200	214	222	230	235	257	254
	1.75	766	557	425	262	199	162	1.80	173	185	195	205	213	226	231	240	245	266	270
	1.67	822	602	443	268	203	165	1.75	176	189	200	211	217	234	238	247	254	275	279
FT12V250	1.80	687	515	408	260	197	165	1.85	170	180	192	201	209	223	232	239	245	267	264
	1.75	798	580	442	273	208	168	1.80	180	192	203	213	222	235	240	250	255	277	282
	1.67	857	627	462	279	212	172	1.75	184	197	209	220	226	244	248	258	264	287	290

Actual battery performance data may be ±5% of figures shown above

## EverExceed FT MAX Range VRLA Discharge Amperes Data @ 20°C (68°F)

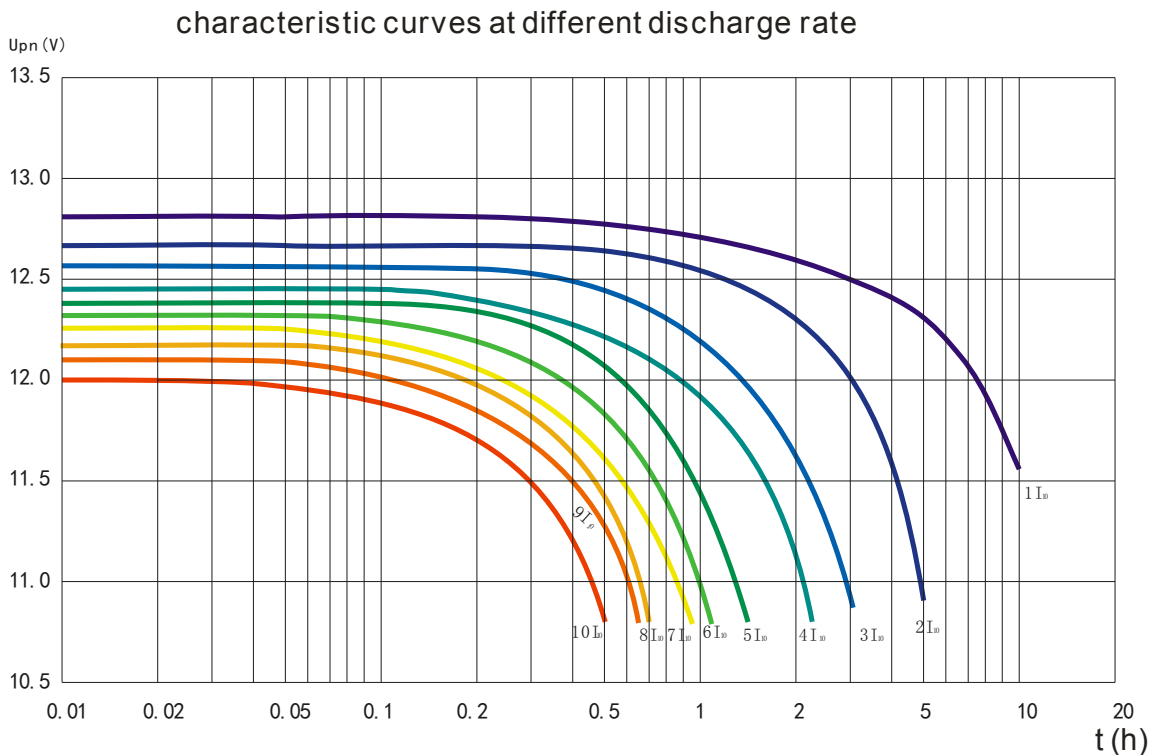
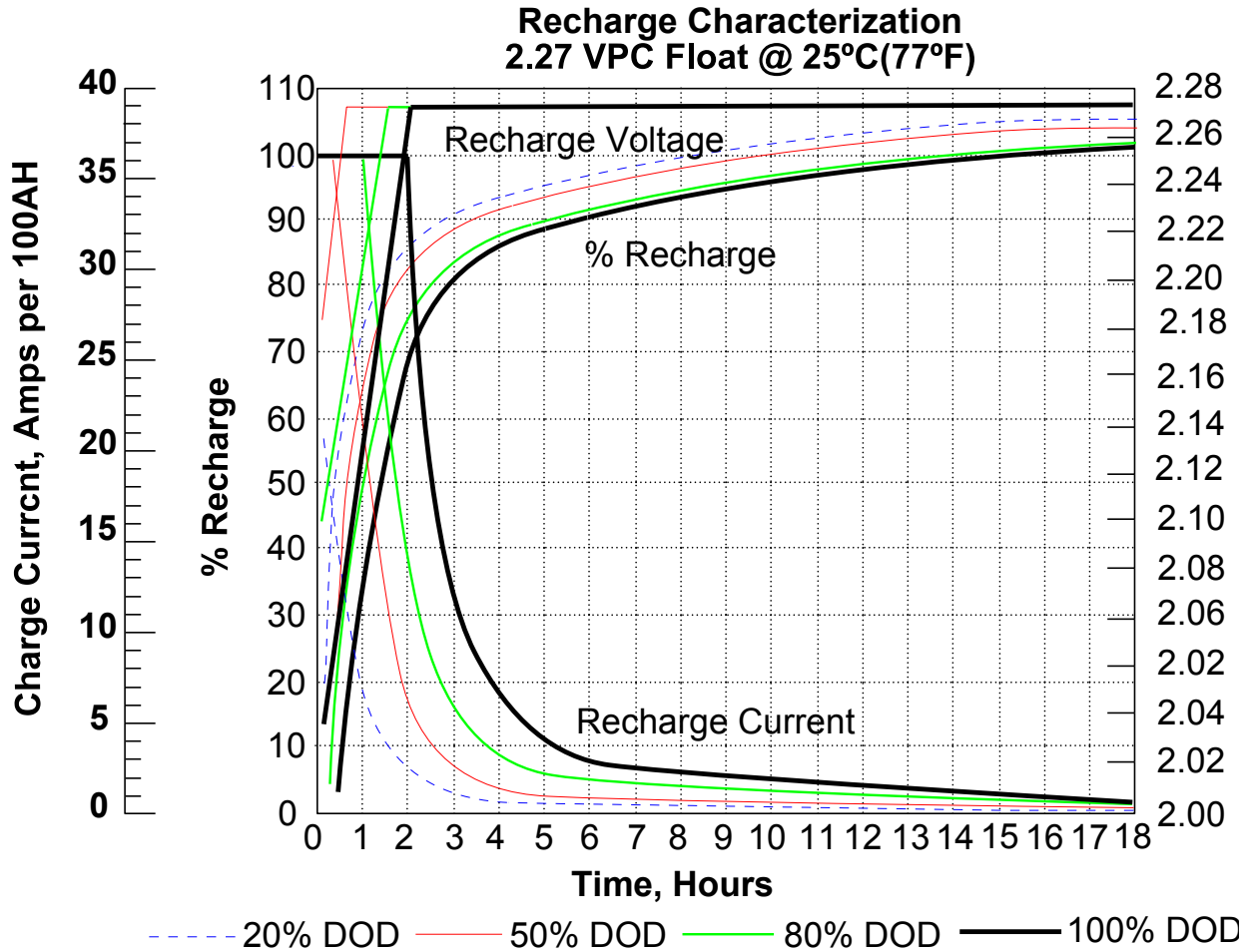
Battery Model	End VPC	Discharge Data Amps @ 20° C						End VPC	Discharge Data Amps @ 20° C										
		Discharge Time In Minutes							Discharge Time In Hours										
		5	10	15	30	45	60		1.5	2	3	4	5	6	8	10	12	20	24
FT12V40	1.80	98.9	73.5	58.5	37.3	27.9	23.1	1.85	18.3	14.6	10.4	8.22	6.79	5.99	4.63	3.85	3.27	2.14	1.81
	1.75	114	82.9	63.3	38.6	28.7	23.6	1.80	19.3	15.6	11.1	8.65	7.19	6.36	4.90	4.08	3.46	2.26	1.91
	1.67	123	90.2	66.5	39.5	28.9	23.8	1.75	19.9	15.9	11.3	8.87	7.35	6.52	5.03	4.19	3.56	2.33	1.97
FT12V55	1.80	136	101	80.5	51.3	38.3	31.7	1.85	25.1	20.1	14.3	11.3	9.33	8.23	6.36	5.30	4.50	2.94	2.49
	1.75	157	114	87.0	53.1	39.5	32.5	1.80	26.6	21.4	15.2	11.9	9.89	8.75	6.74	5.61	4.76	3.11	2.63
	1.67	169	124	91.4	54.3	39.7	32.7	1.75	27.3	21.9	15.6	12.2	10.1	8.96	6.91	5.76	4.90	3.20	2.71
FT12V65	1.80	161	119	94.3	60.6	45.3	37.4	1.85	29.6	23.8	16.9	13.3	11.1	9.75	7.51	6.26	5.32	3.48	2.94
	1.75	185	134	102	62.7	46.6	38.4	1.80	31.4	25.2	18.0	14.1	11.7	10.3	7.95	6.62	5.62	3.67	3.10
	1.67	199	146	108	64.1	46.9	38.6	1.75	32.2	25.8	18.4	14.5	11.9	10.6	8.13	6.80	5.78	3.78	3.19
FT12V80	1.80	198	147	116	74.6	55.7	46.0	1.85	36.4	29.3	20.8	16.4	13.6	12.0	9.24	7.70	6.55	4.28	3.62
	1.75	228	165	126	77.2	57.4	47.2	1.80	38.7	31.0	22.1	17.4	14.4	12.7	9.79	8.15	6.92	4.52	3.82
	1.67	245	180	133	78.9	57.7	47.5	1.75	39.6	31.8	22.7	17.8	14.7	13.0	10.0	8.37	7.11	4.65	3.93
FT12V100	1.80	247	184	145	93.0	69.5	57.4	1.85	45.5	36.5	26.0	20.4	16.9	14.9	11.5	9.60	8.16	5.34	4.51
	1.75	284	206	158	96.3	71.6	58.9	1.80	48.2	38.7	27.6	21.7	17.9	15.8	12.2	10.2	8.63	5.64	4.76
	1.67	306	224	166	98.4	71.9	59.3	1.75	49.4	39.7	28.3	22.2	18.4	16.2	12.5	10.4	8.87	5.80	4.91
FT12V110	1.80	270	201	159	102	76.0	62.8	1.85	49.7	39.9	28.4	22.3	18.4	16.3	12.6	10.5	8.93	5.84	4.93
	1.75	310	225	172	105	78.3	64.3	1.80	52.7	42.3	30.2	23.7	19.6	17.3	13.3	11.1	9.44	6.16	5.21
	1.67	334	245	181	108	78.6	64.7	1.75	54.0	43.4	30.9	24.2	20.1	17.7	13.7	11.4	9.70	6.34	5.36
FT12V120	1.80	295	219	173	111	82.9	68.5	1.85	53.9	43.3	30.8	24.4	20.4	17.8	14.0	11.6	10.4	6.45	5.44
	1.75	338	245	188	115	85.4	70.1	1.80	57.8	45.9	32.6	25.6	21.3	18.9	14.4	12.0	11.1	6.76	5.68
	1.67	364	267	197	118	85.7	70.6	1.75	59.7	47.1	33.5	26.4	22.0	19.3	14.9	12.3	11.3	6.87	5.81
FT12V130	1.80	316	236	186	120	89.1	73.7	1.85	58.3	46.8	33.4	26.2	21.7	19.1	14.8	12.3	10.5	6.84	5.79
	1.75	364	264	203	123	91.9	75.5	1.80	61.9	49.7	35.5	27.8	23.0	20.4	15.7	13.0	11.1	7.24	6.12
	1.67	393	288	212	126	92.2	76.0	1.75	63.4	51.0	36.2	28.5	23.6	20.8	16.1	13.4	11.4	7.45	6.29
FT12V155	1.80	381	284	224	144	107	88.6	1.85	70.2	56.3	40.1	31.5	26.1	23.0	17.8	14.8	12.6	8.23	6.96
	1.75	438	318	243	149	111	90.8	1.80	74.4	59.7	42.6	33.4	27.7	24.4	18.8	15.7	13.3	8.70	7.35
	1.67	472	346	256	152	111	91.4	1.75	76.3	61.2	43.6	34.2	28.4	25.1	19.3	16.1	13.7	8.95	7.57
FT12V180	1.80	492	369	293	187	140	118	1.85	80.6	64.5	45.9	36.2	29.9	26.7	20.8	17.1	14.5	9.60	7.87
	1.75	570	415	317	195	150	119	1.80	86.2	68.6	48.8	38.3	31.8	28.3	21.5	18.0	15.3	9.90	8.41
	1.67	614	449	332	201	152	123	1.75	88.0	70.3	49.9	39.3	32.3	29.1	22.1	18.4	15.7	10.2	8.66
FT12V200	1.80	548	411	325	208	157	132	1.85	89.8	72.0	51.1	40.3	33.4	29.7	23.2	19.0	16.2	10.7	8.76
	1.75	636	463	352	217	165	134	1.80	96.0	76.5	54.5	42.6	35.4	31.5	24.0	20.0	17.0	11.1	9.37
	1.67	684	500	368	224	168	137	1.75	98.0	78.2	55.5	43.7	36.1	32.4	24.7	20.5	17.5	11.4	9.65
FT12V230	1.80	632	474	375	239	181	152	1.85	104	83.0	59.0	46.4	38.5	29.7	26.7	22.0	18.6	12.3	10.1
	1.75	734	534	407	251	191	155	1.80	111	88.3	62.8	49.1	40.9	36.2	27.7	23.0	19.6	12.9	10.8
	1.67	788	577	425	257	195	158	1.75	113	90.1	64.1	50.4	41.5	37.2	28.3	23.7	20.2	13.2	11.1
FT12V240	1.80	659	495	391	249	189	159	1.85	109	86.6	61.6	48.4	40.2	35.6	27.9	23.0	19.4	12.8	10.5
	1.75	766	557	425	262	199	162	1.80	116	92.1	65.5	51.2	42.7	37.8	28.9	24.0	20.5	13.5	11.3
	1.67	822	602	443	268	203	165	1.75	118	94.0	66.9	52.6	43.3	38.9	29.5	24.7	21.1	13.8	11.6
FT12V250	1.80	687	515	408	260	197	165	1.85	113	90.2	64.1	50.4	41.8	37.2	29.0	23.9	20.2	13.4	11.0
	1.75	798	580	442	273	208	168	1.80	121	96.0	68.3	53.4	44.5	39.4	30.1	25.0	21.3	14.0	11.7
	1.67	857	627	462	279	212	172	1.75	123	97.9	69.7	54.8	45.1	40.5	30.8	25.8	22.0	14.3	12.1

Actual battery performance data may be ±5% of figures shown above

**EverExceed FT MAX Range VRLA Discharge Watts Per Cell (WPC) Data @ 20°C (68°F)**

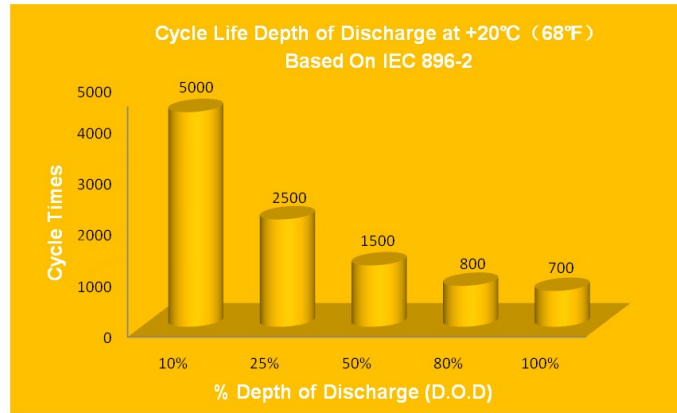
Battery Model	End VPC	Discharge Data WPC @ 20° C							End VPC	Discharge Data Watts Per Cell @ 20° C									
		Discharge Time In Minutes						Discharge Time In Hours											
		5	10	15	30	45	60	1.5		2	3	4	5	6	8	10	12	20	24
FT12V40	1.80	169	129	107	69.8	52.9	44.2	1.85	35.1	28.3	20.4	16.1	14.2	13.4	9.16	7.71	6.55	4.29	3.64
	1.75	185	138	116	72.2	54.6	45.3	1.80	36.9	29.8	21.5	16.9	15.0	14.1	9.67	8.07	6.89	4.51	3.83
	1.67	202	148	122	74.2	54.1	45.8	1.75	37.7	30.5	21.9	17.2	15.3	14.4	9.82	8.22	7.02	4.60	3.90
FT12V55	1.80	232	177	147	96.0	72.8	60.8	1.85	48.3	38.9	28.0	22.1	19.5	18.4	12.6	10.6	9.00	5.90	5.00
	1.75	255	190	160	99.3	75.1	62.3	1.80	50.8	41.0	29.5	23.3	20.6	19.4	13.3	11.1	9.48	6.20	5.26
	1.67	278	204	168	102	74.4	63.0	1.75	51.8	42.0	30.1	23.7	21.0	19.8	13.5	11.3	9.65	6.33	5.36
FT12V65	1.80	274	210	174	113	86.1	71.8	1.85	57.0	46.0	33.0	26.1	23.0	21.7	15.0	12.5	10.6	6.96	5.90
	1.75	301	224	189	117	88.6	73.6	1.80	60.0	48.4	34.8	27.5	24.3	22.9	15.8	13.1	11.2	7.32	6.21
	1.67	328	241	198	120	89.4	74.3	1.75	61.2	49.6	35.5	28.0	24.7	23.3	16.0	13.3	11.4	7.48	6.33
FT12V80	1.80	337	258	214	139	106	88.4	1.85	70.1	56.6	40.6	32.1	28.3	26.7	18.4	15.4	13.1	8.57	7.26
	1.75	370	276	233	144	109	90.6	1.80	73.8	59.6	42.8	33.9	29.9	28.2	19.4	16.1	13.8	9.01	7.64
	1.67	404	296	244	148	110	91.5	1.75	75.3	61.1	43.7	34.5	30.4	28.7	19.7	16.4	14.0	9.20	7.79
FT12V100	1.80	420	322	267	174	132	110	1.85	87.5	70.6	50.7	40.0	35.3	33.3	22.9	19.2	16.3	10.7	9.06
	1.75	462	344	290	180	136	113	1.80	92.1	74.3	53.4	42.2	37.2	35.1	24.1	20.0	17.2	11.2	9.53
	1.67	504	370	305	184	137	114	1.75	93.9	76.2	54.5	43.0	37.9	35.8	24.6	20.5	17.5	11.5	9.71
FT12V110	1.80	459	351	292	190	145	120	1.85	95.5	77.1	55.4	43.8	38.6	36.4	25.0	21.0	17.8	11.7	9.90
	1.75	505	376	317	197	149	124	1.80	101	81.2	58.4	46.1	40.6	38.3	26.4	21.9	18.8	12.3	10.4
	1.67	550	404	333	201	150	125	1.75	103	83.3	59.6	47.0	41.6	39.2	26.8	22.3	19.1	12.6	10.6
FT12V120	1.80	501	383	319	207	158	131	1.85	106	83.9	60.1	48.0	40.5	39.7	27.7	23.2	20.8	13.1	10.6
	1.75	551	410	346	215	163	135	1.80	110	88.0	63.4	50.1	41.6	41.8	28.7	23.7	22.3	13.4	11.3
	1.67	600	441	363	219	164	136	1.75	113	90.2	64.6	50.9	42.5	42.8	29.1	24.3	22.6	13.6	11.5
FT12V130	1.80	539	413	343	224	170	141	1.85	112	90.5	65.0	51.4	45.3	42.7	29.3	24.6	20.9	13.7	11.6
	1.75	593	442	372	231	175	145	1.80	119	95.4	68.5	54.2	47.7	45.0	31.0	25.7	22.0	14.4	12.2
	1.67	646	474	391	236	176	147	1.75	120	97.8	70.0	55.2	48.8	46.0	31.5	26.3	22.5	14.7	12.5
FT12V155	1.80	655	496	412	268	204	170	1.85	135	109	78.2	61.8	54.5	52.5	35.3	29.6	25.2	16.5	14.0
	1.75	712	531	448	278	210	174	1.80	142	115	82.4	65.2	57.5	55.6	37.3	30.9	26.5	17.3	14.7
	1.67	777	571	470	284	211	176	1.75	145	118	84.2	66.4	58.6	56.5	37.9	31.6	27.0	17.7	15.0
FT12V180	1.80	850	684	541	347	270	221	1.85	155	128	89.7	71.2	59.2	61.0	40.9	34.2	29.5	19.4	15.9
	1.75	936	746	571	362	277	229	1.80	166	131	94.3	74.6	62.0	64.6	42.6	35.5	30.3	20.0	16.8
	1.67	999	805	601	371	286	234	1.75	171	136	96.3	76.0	63.3	65.6	43.4	36.2	30.9	20.3	17.1
FT12V200	1.80	890	735	602	387	300	246	1.85	173	141	100	79.3	66.0	67.7	45.5	38.0	32.8	21.5	17.8
	1.75	975	790	637	403	309	254	1.80	185	146	105	83.0	69.1	71.7	47.5	39.3	33.8	22.2	18.7
	1.67	1030	825	670	413	318	261	1.75	190	151	107	84.7	70.5	72.9	48.3	40.3	34.3	22.6	19.0
FT12V230	1.80	1065	843	694	447	346	282	1.85	199	164	116	91.5	76.1	77.9	52.5	43.8	37.9	24.9	20.5
	1.75	1276	916	735	464	356	293	1.80	213	168	121	95.8	79.8	82.5	54.7	45.5	38.9	25.5	21.6
	1.67	1310	980	773	476	367	301	1.75	220	174	123	97.7	81.4	83.8	55.6	46.4	39.6	26.1	22.0
FT12V240	1.80	1111	880	724	466	361	294	1.85	208	171	121	95.5	79.4	81.3	54.8	45.7	39.5	26.0	21.4
	1.75	1331	956	767	484	371	306	1.80	222	175	126	100	83.3	86.1	57.1	47.5	40.6	26.6	22.5
	1.67	1367	1023	807	497	383	314	1.75	230	182	128	102	84.9	87.5	58.0	48.4	41.3	27.2	23.0
FT12V250	1.80	1176	950	754	486	376	307	1.85	216	178	126	99.5	82.7	84.7	57.1	47.6	41.2	27.1	22.3
	1.75	1350	998	799	504	387	318	1.80	232	183	132	104	86.7	89.7	59.5	49.5	42.3	27.7	23.5
	1.67	1469	1097	840	517	399	327	1.75	239	189	134	106	88.5	91.1	60.4	50.4	43.0	28.4	23.9

Actual battery performance data may be ±5% of figures shown above



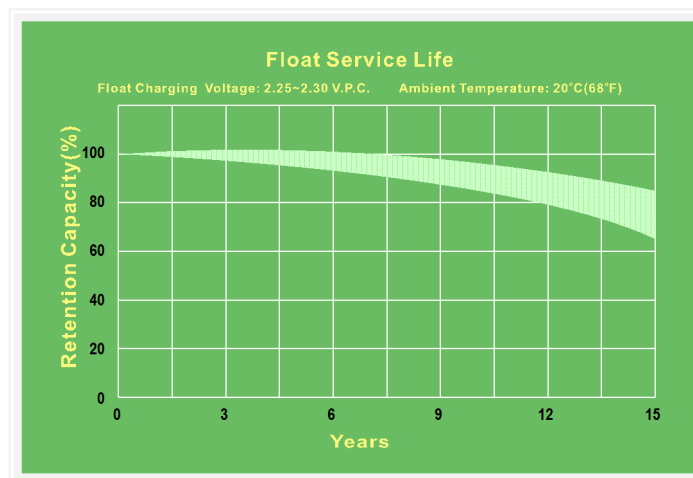
characteristic curves at different discharge rate (25)





**TYPICAL CYCLIC PERFORMANCE**

CAPACITY	CYCLES
100%	700
80%	800
50%	1500
25%	2500
10%	5000



## Float Voltage & charging

Constant Voltage charging is recommended

**Recommended float voltage:** 2.27VPC @ 20°C(68°F)

**Float Voltage Range:** 2.25VPC to 2.30 VPC @ 20°C(68°F)

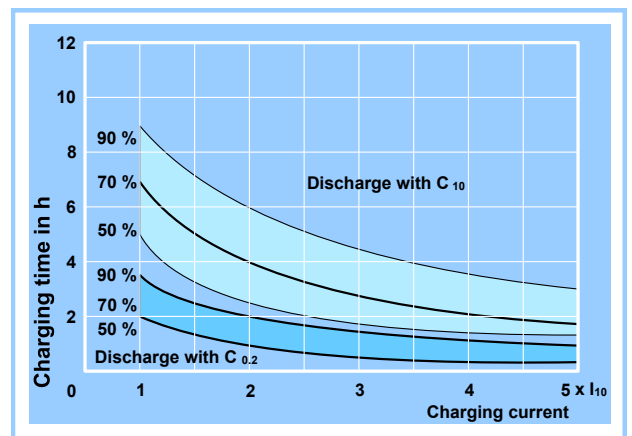
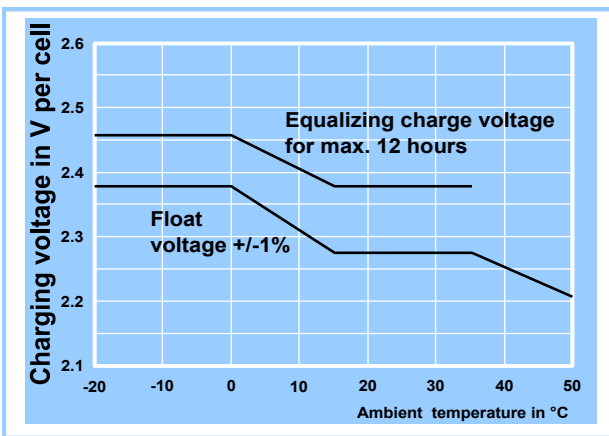
**Equalize voltage:** 2.35VPC for 12 Hours

**Temperature compensation:**

Apply for temperature range of 0°C / 32°F to 40°C / 104°F. Subtract

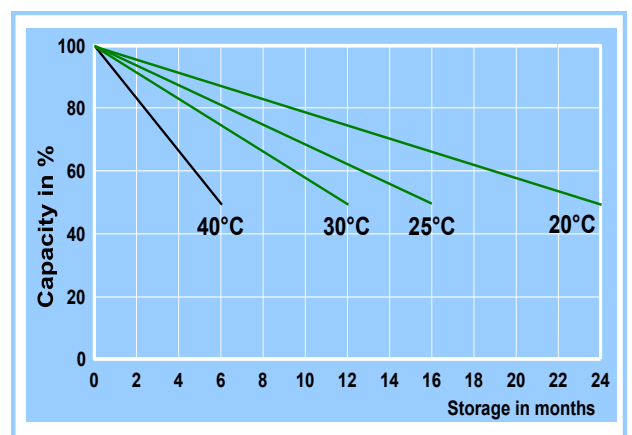
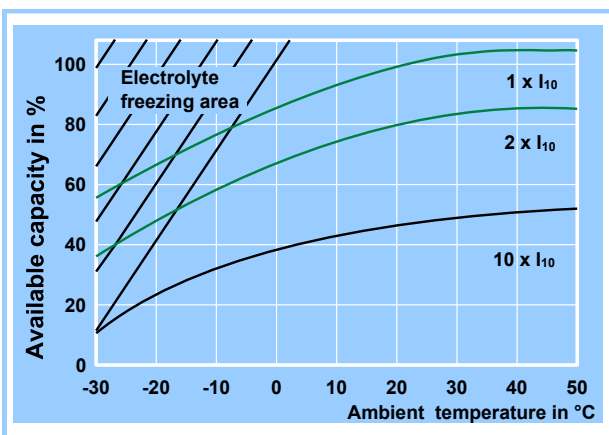
3 mV / °C / cell or 1.7 mV / °F / cell, above 25°C / 77°F.

Add 3mV / °C / cell or 1.7 mV / °F / cell, below 25°C / 77°F.



For charging 2.27 V/cell is recommended. The charging voltage

Recharging time in dependence of charging current (guide)



Extracted capacity in relation to the temperature.

Self-discharge in relation to the storage temperature.

**EverExceed<sup>®</sup>**  
*power your applications*



*Supplied Worldwide by  
EverExceed Corporation*

